

Setup Guide



**PairLock**  
OVIO

ovio

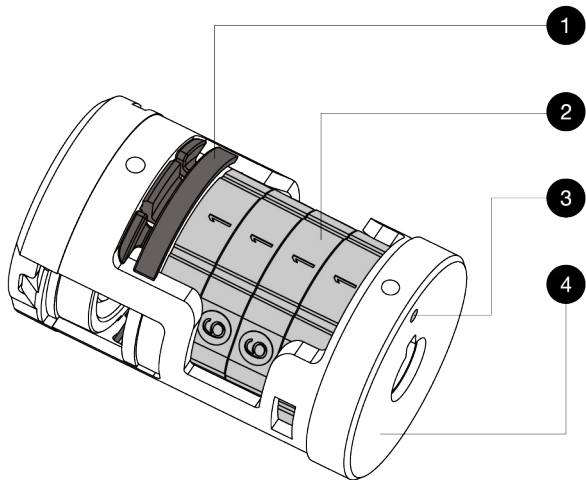


A

**PRODUCT  
INTRODUCTION**

(Pairlock)

# DETAIL (Cylinder)



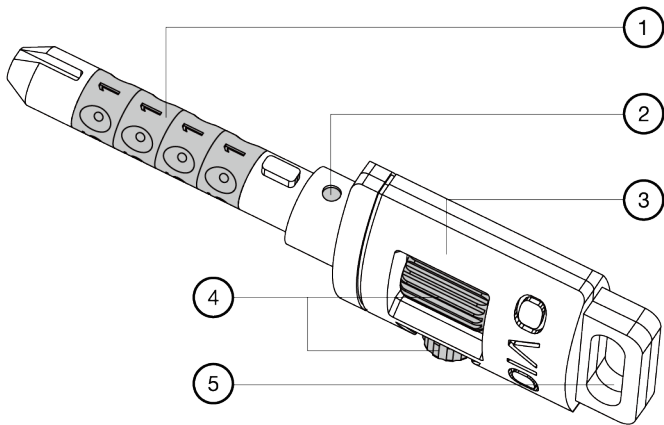
## Cylinder

- ① Wheel holder
- ② Password wheels
- ③ Datum mark
- ④ Cover

Size :  $\Phi 25.1 \times 42.3$  (mm)

Material : Stainless Steel / PP / Zinc Alloy

# DETAIL (Key)



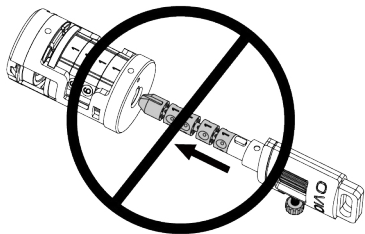
## Key

- ① Password wheels
- ② Datum mark
- ③ Handle
- ④ Screw
- ⑤ Hanging hole

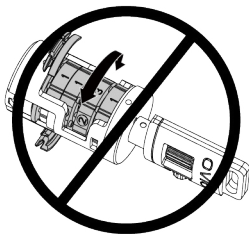
Size : 75.7 x 22.5 x 9.5 (mm)

Material : ABS / Copper / Stainless Steel

# NOTICE



Before inserting the key, screw to tighten its wheel parts to avoid jamming the cylinder.



Do not change the password by turning the wheels before pulling out the key. Doing so can cause dislocation of the spring and damage to the lock.



Make sure the key is completely inserted into the lock before turning the key. Forcing the key to turn may cause error in the axial locking mechanism.



Avoid exposure of the lock and its parts to acid and alkaline.

# ▶ TROUBLESHOOTING

**Q1: Password wheels cannot be loaded into the cylinder.**

A1: Password wheels are not properly aligned.

**Q2: The lock cannot be unlocked, given the right password.**

A2: The password is faulty. The key passage is unclean or partially blocked. The key is not completely inserted into the lock.

**Q3: The key can't insert into the cylinder.**

A3: The password wheels on the key are not tightly packed. The key passage is obstructed.

※ If you have anymore questions, please call us. OVIO International Services: 02-2908-3969



**B**

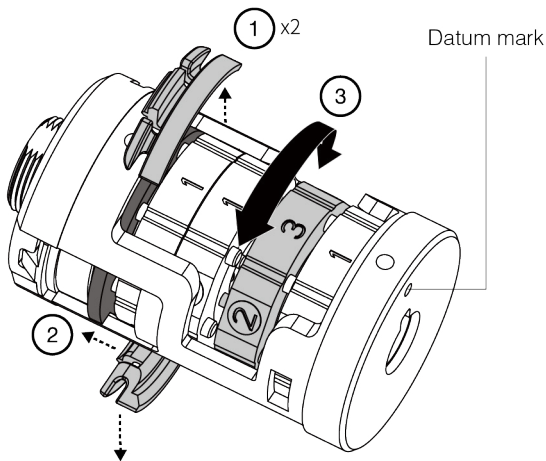
**INSTRUCTIONS**



# PASSWORD SETTING (Cylinder)

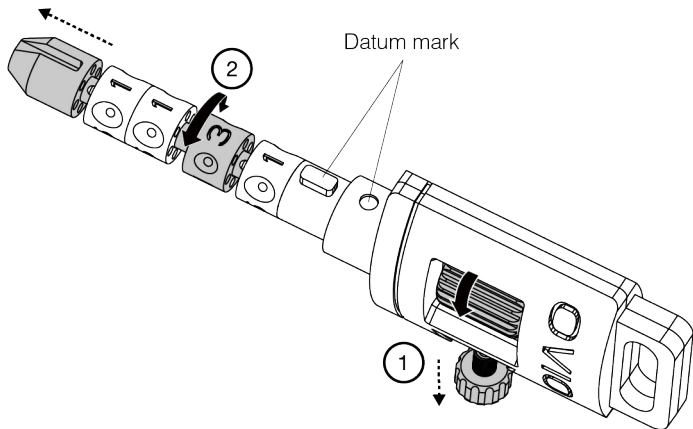


Do not change the password by turning the wheels before pulling out the key. Doing so can cause dislocation of the spring and damage to the lock.



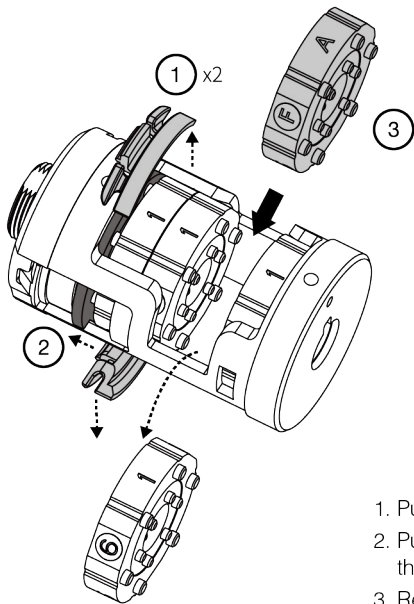
1. Pull out two plastic wheel holders.
2. Push up the stopper to loosen the wheels.
3. Rotate the wheels to change the numbers.

# PASSWORD SETTING (Key)



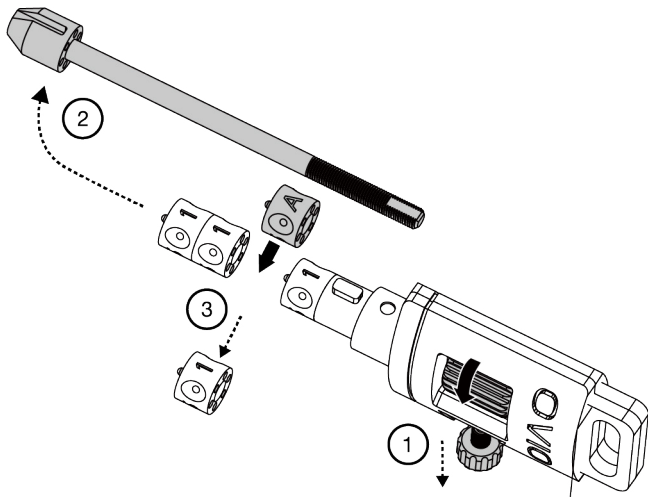
1. Release the screw stopper and unscrew to loosen up the password wheels.
2. Change the password.

# ENCRYPTION MODE (Reposition the password set)



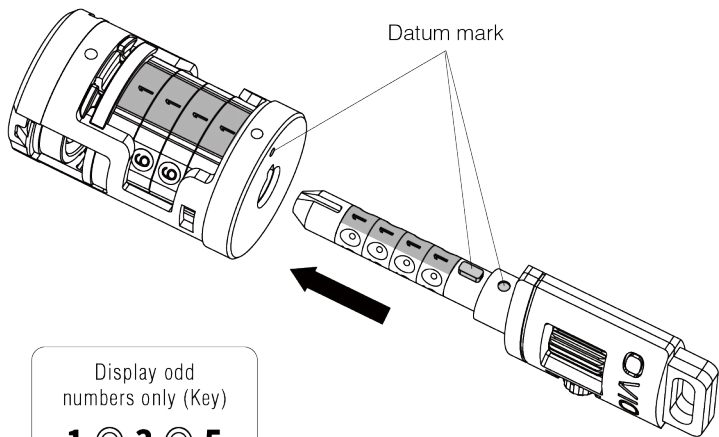
1. Pull out the two wheel holders.
2. Push up the stopper to loosen the wheels.
3. Replace the existing wheel with the encryption wheel.

# ENCRYPTION MODE (Reposition the password set)



1. Release the screw stopper and unscrew.
2. Pull out the stem plug.
3. Replace the previous wheel with the encryption wheel.

# RECOGNISE PASSWORD and PAIR



Display odd  
numbers only (Key)

**1** ○ **3** ○ **5**

**1** **2** **3** **4** **5**



WARNING

Before inserting the key, screw to tighten its wheel parts to avoid jamming the cylinder.

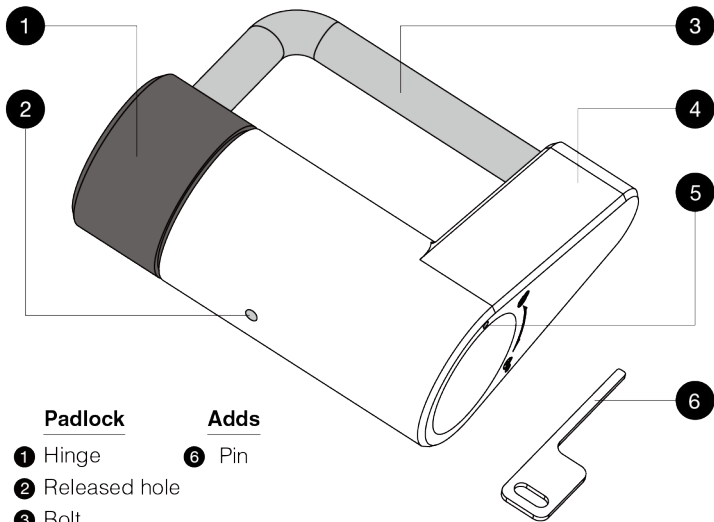


C

# PRODUCT INTRODUCTION

Pairlock  
(Padlock)

# DETAIL



## Padlock

## Adds

- ① Hinge
- ② Released hole
- ③ Bolt
- ④ Zinc alloy shell
- ⑤ Datum mark
- ⑥ Pin

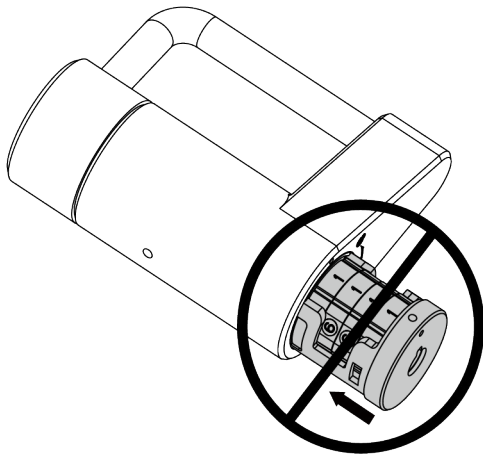
Size : 78 x 68.5 x 32 / Bolt :  $\Phi 8$  (mm)

Material : Stainless Steel / Carbon Steel / Carbon Steel

# NOTICE



To prevent the damage of the cylinder, ensure the cylinder is paired with the key inserted when you load it into the padlock.



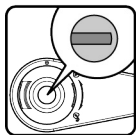
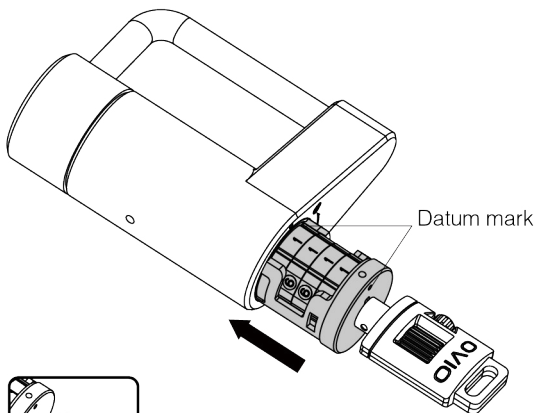




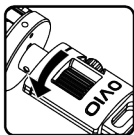
**D**

**INSTRUCTIONS**

# INSTALLING CYLINDER

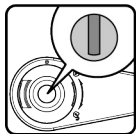


+



= OK

Horizontal baffle : Rotate 90 ° counterclockwise



+



= OK

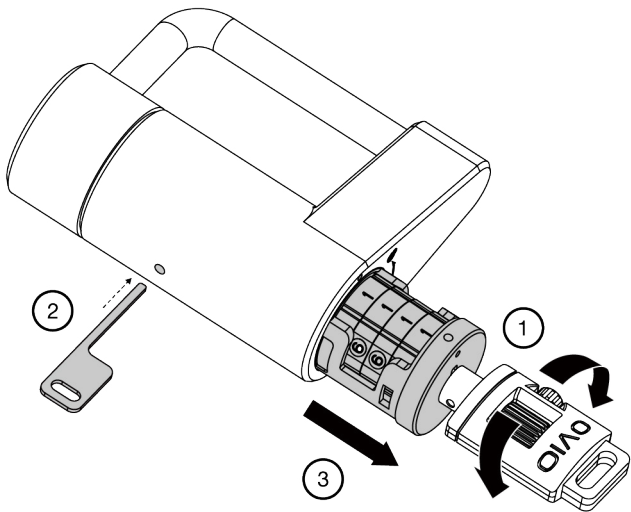
Vertical baffle : Rotate 90 ° clockwise



WARNING

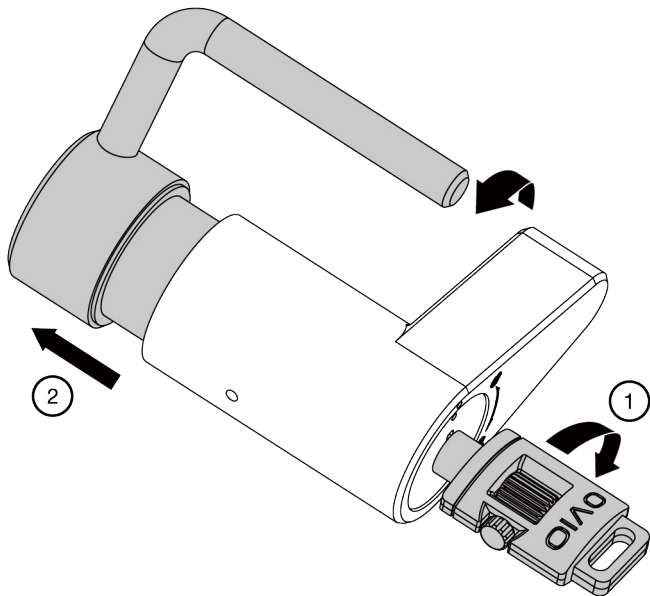
To prevent the damage of the cylinder, ensure the cylinder is paired with the key inserted when you load it into the padlock.

# DISMANTLING CYLINDER



1. Insert the key and Rotate 90 ° (Counterclockwise or Clockwise ).
2. Push the pin to release the cylinder.
3. Pull out the cylinder.

# PADLOCK USAGE



1. Insert the key and rotate 90 ° clockwise.
2. Release the lock bolt to lock the object.

[www.ovio.com.tw](http://www.ovio.com.tw)

ovio